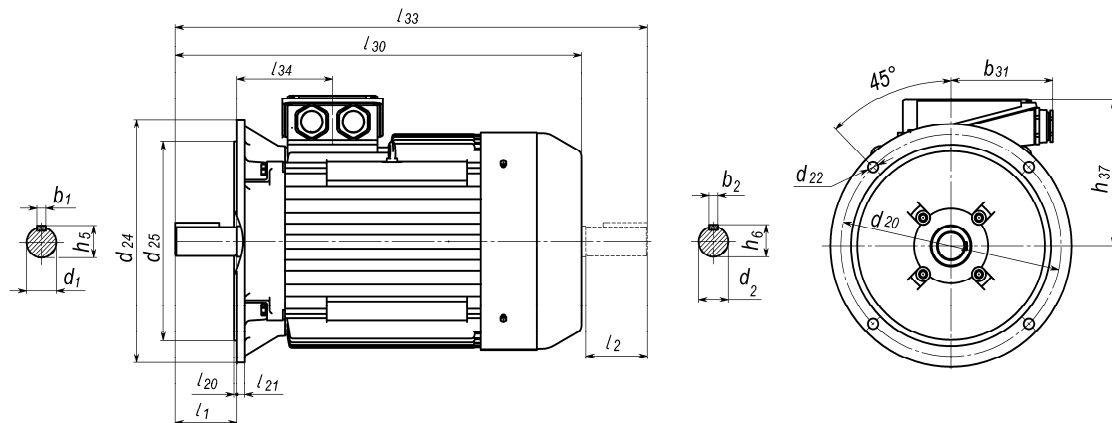


Габаритный чертеж IM 3001 / IM B5

Dimension drawing IM 3001 / IM B5



Привязка мощностей к установочно - присоединительным размерам по стандартам **ГОСТ Р 51689**
 Power depends on mounting and overall dimensions according to **GOST R 51689**

Размеры в мм.

Dimensions in mm.

Тип Type	Число полюсов No. of poles	ГОСТ l ₃₀	l ₃₃	h ₃₇	d ₂₄	l ₁	l ₂	l ₂₀	l ₂₁	d ₁	d ₂	d ₂₀	d ₂₂	d ₂₅	b ₁	b ₂	b ₃₁	h ₅	h ₆
A71A	2,4	271	302	117	200	40	30	3.5	10	19	11	165	11	130	6	4	75	21.5	12.5
A71B	2,4	291	322	117	200	40	30	3.5	10	19	11	165	11	130	6	4	75	21.5	12.5
A80A	2,4,6	300	342	127	200	50	40	3.5	10	22	19	165	11	130	6	6	75	24.5	21.5
A80B	2,4,6	320	362	127	200	50	40	3.5	10	22	19	165	11	130	6	6	75	24.5	21.5
A90L	2,4,6	350	392	127	250	50	40	4.0	14	24	19	215	14	180	8	6	75	27	21.5
A100S	2,4	376	418	127	250	60	40	4.0	11	28	19	215	14	180	8	6	75	31	21.5
A100L	2,4,6	420	473	185	250	60	50	4.0	11	28	24	215	14	180	8	8	83	31	27
A112M	A6	440	493	185	300	80	50	4.0	12	32	24	265	14	230	10	8	83	35	27
A112M	2,4,B6	475	528	185	300	80	50	4.0	12	32	24	265	14	230	10	8	83	35	27
A132S	4,6	505	570	198	350	80	60	5.0	18	38	28	300	19	250	10	8	83	41	31
A132M	2	505	570	198	350	80	60	5.0	18	38	28	300	19	250	10	8	83	41	31
A132M	4,6	545	610	198	350	80	60	5.0	18	38	28	300	19	250	10	8	83	41	31
AIP160SE	4,6,8	735	-	255	350	110	-	5.0	15	48	-	300	19	250	14	-	160	51.5	-
AIP160ME	4,6,8	775	-	255	350	110	-	5.0	15	48	-	300	19	250	14	-	160	51.5	-
4AK160S	4,6,8	843	-	270	350	110	-	5.0	15	48	-	300	19	250	14	-	160	51.5	-
4AK160M	4,6,8	886	-	270	350	110	-	5.0	15	48	-	300	19	250	14	-	160	51.5	-
AIP160S	2	605	720	245	350	110	110	5.0	15	42	42	300	19	250	12	12	160	45	45
AIP160S	4,6,8	605	720	245	350	110	110	5.0	15	48	42	300	19	250	14	12	160	51.5	45
AIP160M	2	645	760	245	350	110	110	5.0	15	42	42	300	19	250	12	12	160	45	45
AIP160M	4,6,8,12,16	645	760	245	350	110	110	5.0	15	48	42	300	19	250	14	12	160	51.5	45
A180S	2	645	760	245	400	110	110	5.0	15	48	42	350	19	300	14	12	160	51.5	45
A180M	2	705	820	245	400	110	110	5.0	15	48	42	350	19	300	14	12	160	51.5	45
A180S	4	645	760	245	400	110	110	5.0	15	55	42	350	19	300	16	12	160	59	45
A180M	6	645	760	245	400	110	110	5.0	15	55	42	350	19	300	16	12	160	59	45
A180M	4,8	705	820	245	400	110	110	5.0	15	55	42	350	19	300	16	12	160	59	45
A180M	A12,B12	720	835	275	400	110	110	5.0	15	55	55	350	19	300	16	16	205	59	59
A200M	2,12	720	835	275	450	110	110	5.0	16	55	55	400	19	350	16	16	205	59.0	59.0
A200L	2,A12	805	920	275	450	110	110	5.0	16	55	55	400	19	350	16	16	205	59.0	59.0
A200M	4,6,8	750	865	275	450	140	110	5.0	16	60	55	400	19	350	18	16	205	64.0	59.0
A200L	4,6,8	835	950	275	450	140	110	5.0	16	60	55	400	19	350	18	16	205	64.0	59.0
A200LB	12	840	955	275	450	110	110	5.0	16	55	55	400	19	350	16	16	205	59.0	59.0
A225M	2	840	955	290	550	110	110	5.0	18	55	55	500	19	450	16	16	205	59.0	59.0
A225M	4,6,8,A12	870	1015	290	550	140	140	5.0	18	65	60	500	19	450	18	18	205	69.0	64.0

В двигателях H200-355 количество отверстий **d 22** - 8

Quantity of the holes **d 22** in the motors H200-355 are 8