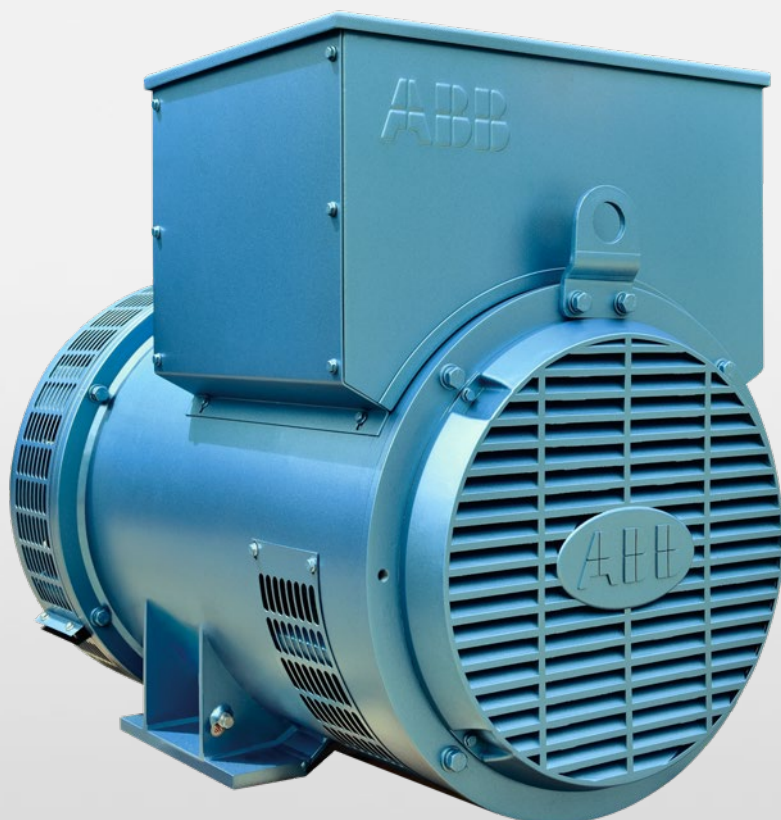


---

CATALOG

# Low voltage generators for diesel and gas engines

## Industrial application series



- ABB's low voltage generators are designed for diesel or gas generators sets, for continuous or standby operations. They can be used also for a wide range of different industrial applications.

---

**We provide motors and generators, services and expertise to save energy and improve customers' processes over the total life cycle of our products, and beyond.**

---

# Low voltage industrial series generators

3 phases, 4 poles, 1500/1800 rpm

IEC frame size 180-500, 19-3750kVA

<b>04</b> –05	<b>General information</b>
<b>06</b> –07	<b>Electrical features</b>
<b>08</b> –09	<b>Mechanical features</b>
<b>10</b> –15	<b>Technical data</b>
<b>16</b> –27	<b>Outline drawing</b>

---

## General information

---

Our new range of low voltage generators is developed to better fit market demands and is available in IEC frame sizes 180 to 500. The generators are ideal for supplying continuous, standby or emergency power for residential buildings, commercial premises, hospitals, schools, telecommunication facility, industrial sites and mines.

---

<http://new.abb.com/motors-generators>

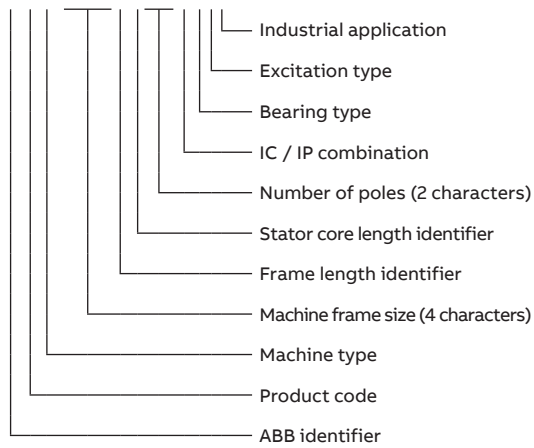




# Electrical features

## Type definition

**NMG 0180CC04 DBSI**



**Bearing type:** A – Double bearing, B – Single bearing

**Excitation type:** S – Shunt, A – Auxiliary winding, P – PMG

## Voltage regulator

The automatic voltage regulator (AVR) is manufactured according to ABB specifications to ensure stable operation. The standard AVRs are of analogue type and mounted inside the main terminal box. A digital voltage regulator is available as an option.

## Overload capability

Permissible overload is 110% for one hour every twelve hours.

## Excitation systems

- Brushless excitation, built-in AVR and self-excited (PMI)
- Shunt, auxiliary winding and PMG excitation systems
- Sustained short circuit current:  $>3 \times I_n$  for 10 s (PMG, auxiliary winding)



Model/ Excitation type	Shunt	Auxiliary winding	PMG
NMG 0180	●	N/A	N/A
NMG 0225	●	N/A	N/A
NMG 0270 A-C	●	N/A	N/A
NMG 0270 D-E	●	N/A	●
NMG 0280	●	N/A	●
NMG 0315	●	N/A	●
NMG 0355	N/A	N/A	●
NMG 0400	N/A	●	●
NMG 0450	N/A	●	●
NMG 0500	N/A	●	●

- Standard configuration
- Optional configuration
- N/A Not available

### Frequency

The generators can be operated at either 50 or 60 Hz.

### Voltage and connections

- 50 Hz: 380~440 V(Y), 220-254(Δ)
- 60 Hz: 380~480 V(Y), 220-277(Δ)

Voltage can be changed by reconnection and adjustment using the voltage regulator.

For frame sizes 0180-0355, twelve leads are brought into the terminal box to enable internal parallel star, series delta and parallel delta connections.

### Insulation

- Insulation class H.

All windings are impregnated with high quality polyester-imide resin using vacuum pressure. They can withstand all expected mechanical and electrical shocks and vibrations as well as chemical corrosion.

### Voltage waveform

For frame sizes 0180 - 0450, 2/3 winding pitch is used to eliminate the 3rd harmonic on the voltage waveform.

### Derating

The new rating is calculated by:

- $S_n' = S_n \times \text{derating factor}$
- $S_n'$ : new rating
- $S_n$ : rating for standard operation conditions

Temperature rise derating factors are as follows:

- Class F rating = Class H rating  $\times$  0.91
- Class B rating = Class H rating  $\times$  0.80

### Derating factors

Altitude	Ambient temperature					
	25 °C	40 °C	45 °C	50 °C	55 °C	60 °C
0 to 1000 m	1.04	1.00	0.97	0.94	0.91	0.88
1000 to 1500 m	1.01	0.97	0.94	0.91	0.88	0.85
1500 to 2000 m	0.98	0.94	0.91	0.88	0.86	0.83
2000 to 2500 m	0.95	0.91	0.88	0.86	0.83	0.80
2500 to 3000 m	0.91	0.87	0.84	0.82	0.79	0.77
> 3000 m	on request	on request	on request	on request	on request	on request
Lagging power factor	1	0.9	0.8	0.7	0.6	0.6
Derating factor	1	1	1	0.92	0.85	0.85

# Mechanical features

## Poles and frame sizes

- 4 poles

Available frame sizes are 180, 225, 270, 280, 315, 355, 400, 450 and 500.

## Bearings

The generator can be provided in single bearing or double bearing configurations.

## Standard bearing configurations

Model	Non-Drive end	Drive end
NMG 0180	▲	▲
NMG 0225	▲	▲
NMG 0270	▲	▲
NMG 0280	▲	▲
NMG 0315	▲	▲
NMG 0355	▲	▲
NMG 0400	▲	▲
NMG 0450	▲	▲
NMG 0500	▲	▲

▲ Sealed rolling bearing

▲ Re-greasable rolling bearing







#### **Direction of rotation**

All the generators operate in clockwise direction as viewed from the drive end. Anticlockwise operation is available on request.

#### **Enclosure**

The Standard enclosure is IP23, Other enclosures are available on request (ask factory for the detailed configurations).

#### **Overspeed**

The maximum overspeed is 2250 rpm (1.25 times the 60 Hz rated speed).

#### **Mounting**

For IM2105 a single bearing, SAE flange, coupling disc and feet down.

For IM1001 (IMB34) double bearings, SAE flange, one horizontal shaft extension and feet down.

For AMG 0500, IM1101 (IMB20) or IM2401(IMB25) double bearings, SAE flange, one horizontal shaft extension and raised feet.

#### **Balancing**

All rotors are dynamically balanced according to ISO 1940 G2.5. Two bearing rotors are balanced with a half key.

#### **Terminal box**

The generators have a large terminal box which allows easy access to connection bars or to the AVR. Current transformers and other optional modules can be installed inside the box.

#### **Main optional features**

- Anti-condensation heater
- PT100 for bearing
- PT100 for stator windings
- Current transformer for parallel operation
- Digital voltage regulator
- PMG
- EMC
- Potential transformer (Loose supply)
- Cable gland
- Adaptor flange (Frame 400 or above)

Other options are available on request.

## Technical data

Continuous, H class (125 K)  
Ambient 40 °C, 50 Hz, p.f 0.8

Type	1 phase				1 phase				Efficiency (400 V) %
	380 V	400 V	415 V	220-240 V kVA	380 V	400 V	415 V	220-240 V kW	
NMG 0180AA04 DBSI	19.0	20.0	19.0	12.0	15.2	16.0	15.2	9.6	82.60
NMG 0180BB04 DBSI	24.0	25.0	24.0	15.0	19.2	20.0	19.2	12.0	84.40
NMG 0180CC04 DBSI	30.0	31.5	30.0	19.0	24.0	25.2	24.0	15.2	85.60
NMG 0180DD04 DBSI	35.0	37.5	36.0	22.5	28.0	30.0	28.8	18.0	86.00
NMG 0180EE04 DBSI	40.0	42.5	40.0	25.5	32.0	34.0	32.0	20.4	87.30
NMG 0225AS04 DBSI	48.0	50.0	48.0	30.0	38.4	40.0	38.4	24.0	87.10
NMG 0225AA04 DBSI	60.0	62.5	60.0	37.5	48.0	50.0	48.0	30.0	88.30
NMG 0225BS04 DBSI	70.0	75.0	72.0	45.0	56.0	60.0	57.6	36.0	89.00
NMG 0225BB04 DBSI	76.0	80.0	77.0	48.0	60.8	64.0	61.6	38.4	89.10
NMG 0225BL04 DBSI	86.0	90.0	86.0	54.0	68.8	72.0	69.0	43.0	89.20
NMG 0270AS04 DBSI	95.0	100	96.0	60.0	76.0	80.0	76.8	48.0	90.10
NMG 0270AA04 DBSI	107	113	108	68.0	85.6	90.4	86.4	54.4	90.30
NMG 0270BS04 DBSI	119	125	120	75.0	95.2	100	96.0	60.0	91.00
NMG 0270BB04 DBSI	133	140	134	84.0	106	112	107	67.2	91.10
NMG 0270CC04 DBSI	143	150	144	90.0	114	120	115	72.0	91.40
NMG 0270DR04 DBSI	157	165	158	99.0	126	132	126	79.2	91.60
NMG 0270DS04 DBSI	166	175	168	105	133	140	134	84.0	92.10
NMG 0270DD04 DBSI	179	188	180	113	143	150	144	90.4	92.30
NMG 0270DL04 DBSI	192	202	194	121	154	162	155	96.8	92.40
NMG 0270ES04 DBSI	214	225	216	135	171	180	173	108	92.90
NMG 0270EE04 DBSI	238	250	240	150	190	200	192	120	93.00
NMG 0280AS04 DBSI	267	281	270	N/A	214	225	216	N/A	93.10
NMG 0280AA04 DBSI	285	300	288	N/A	228	240	230	N/A	93.20
NMG 0280AL04 DBSI	309	325	312	N/A	247	260	250	N/A	93.60
NMG 0315AS04 DBSI	333	350	336	N/A	266	280	269	N/A	93.70
NMG 0315AA04 DBSI	362	381	366	N/A	290	305	293	N/A	93.90
NMG 0315BS04 DBSI	382	403	387	N/A	306	322	310	N/A	94.10
NMG 0315BB04 DBSI	428	450	432	N/A	342	360	346	N/A	94.30
NMG 0355AS04 DBPI	475	500	480	N/A	380	400	384	N/A	93.80
NMG 0355AA04 DBPI	538	563	540	N/A	430	450	432	N/A	93.90
NMG 0355AL04 DBPI	600	625	600	N/A	480	500	480	N/A	94.30
NMG 0355BS04 DBPI	675	700	675	N/A	540	560	540	N/A	94.60
NMG 0355BB04 DBPI	725	750	725	N/A	580	600	580	N/A	94.70
NMG 0400AA04 DBPI	810	850	850	N/A	648	680	680	N/A	94.19
NMG 0400BS04 DBPI	900	950	950	N/A	720	760	760	N/A	94.60
NMG 0400BB04 DBPI	950	1000	1000	N/A	760	800	800	N/A	94.74
NMG 0400CS04 DBPI	1100	1150	1150	N/A	880	920	920	N/A	94.92
NMG 0400CC04 DBPI	1190	1250	1250	N/A	952	1000	1000	N/A	95.07
NMG 0400DD04 DBPI	1430	1500	1500	N/A	1144	1200	1200	N/A	95.47
NMG 0450AA04 DBPI	1565	1650	1650	N/A	1252	1320	1320	N/A	95.22
NMG 0450BB04 DBPI	1780	1875	1875	N/A	1424	1500	1500	N/A	95.44
NMG 0450CC04 DBPI	1990	2100	2100	N/A	1592	1680	1680	N/A	95.76
NMG 0450DD04 DBPI	2135	2250	2250	N/A	1708	1800	1800	N/A	95.76
NMG 0500AA04 DAPI	2200	2315	2315	N/A	1760	1852	1852	N/A	95.84
NMG 0500BB04 DAPI	2420	2550	2500	N/A	1936	2040	2000	N/A	95.93
NMG 0500CC04 DAPI	2610	2750	2750	N/A	2088	2200	2200	N/A	96.24
NMG 0500DD04 DAPI	2970	3125	3125	N/A	2376	2500	2500	N/A	96.27

## Technical data

Continuous, H class (125 K)  
Ambient 40 °C, 60 Hz, p.f 0.8

Type	1 phase							1 phase							Efficiency (480 V) %
	380 V	400 V	415 V	440 V	460 V	480 V	220-240 V kVA	380 V	400 V	415 V	440 V	460 V	480 V	220-240 V kW	
NMG 0180AA04 DBSI	21.0	22.0	22.0	23.0	24.0	25.0	13.0	16.8	17.6	17.6	18.4	19.2	20.0	10.4	83.40
NMG 0180BB04 DBSI	26.0	27.0	28.0	29.0	30.0	31.0	16.0	20.8	21.6	22.4	23.2	24.0	24.8	12.8	85.50
NMG 0180CC04 DBSI	33.0	35.0	36.0	38.0	39.0	40.0	21.0	26.4	28.0	28.8	30.4	31.2	32.0	16.8	86.70
NMG 0180DD04 DBSI	39.0	42.0	44.0	45.0	46.0	47.0	25.0	31.2	33.6	35.2	36.0	36.8	37.6	20.0	86.90
NMG 0180EE04 DBSI	45.0	46.0	47.0	50.0	52.0	53.0	27.5	36.0	36.8	37.6	40.0	41.6	42.4	22.0	88.20
NMG 0225AS04 DBSI	52.0	54.0	57.0	60.0	62.0	63.0	32.5	41.6	43.2	45.6	48.0	49.6	50.4	26.0	87.80
NMG 0225AA04 DBSI	65.0	70.0	72.0	75.0	77.0	80.0	42.0	52.0	56.0	57.6	60.0	61.6	64.0	33.6	88.90
NMG 0225BS04 DBSI	76.0	80.0	85.0	88.0	90.0	93.0	48.0	60.8	64.0	68.0	70.4	72.0	74.4	38.4	89.80
NMG 0225BB04 DBSI	83.0	87.0	90.0	96.0	98.0	100	52.0	66.4	69.6	72.0	76.8	78.4	80.0	41.6	90.00
NMG 0225BL04 DBSI	95.0	98.0	102	105	108	112	59.0	76.0	78.4	81.6	84.0	86.4	89.6	47.2	90.10
NMG 0270AS04 DBSI	105	108	112	118	120	125	65.0	84.0	86.4	89.6	94.4	96.0	100	52.0	91.10
NMG 0270AA04 DBSI	115	120	125	130	135	140	72.0	92.0	96.0	100	104	108	112	57.6	91.20
NMG 0270BS04 DBSI	130	135	140	145	150	156	81.0	104	108	112	116	120	125	64.8	92.00
NMG 0270BB04 DBSI	147	155	160	165	170	175	93.0	118	124	128	132	136	140	74.4	92.00
NMG 0270CC04 DBSI	155	160	170	175	180	187	96.0	124	128	136	140	144	150	76.8	92.20
NMG 0270DR04 DBSI	170	175	185	195	200	205	105	136	140	148	156	160	164	84.0	91.70
NMG 0270DS04 DBSI	180	190	200	205	210	218	114	144	152	160	164	168	174	91.2	92.50
NMG 0270DD04 DBSI	195	205	210	220	225	235	123	156	164	168	176	180	188	98.4	92.70
NMG 0270DL04 DBSI	210	220	230	240	245	250	132	168	176	184	192	196	200	106	92.90
NMG 0270ES04 DBSI	235	245	255	265	275	280	147	188	196	204	212	220	224	118	93.40
NMG 0270EE04 DBSI	260	270	280	290	300	310	162	208	216	224	232	240	248	130	93.60
NMG 0280AS04 DBSI	295	305	315	325	335	350	N/A	236	244	252	260	268	280	N/A	93.60
NMG 0280AA04 DBSI	315	330	340	350	360	375	N/A	252	264	272	280	288	300	N/A	93.90
NMG 0280AL04 DBSI	340	360	375	385	395	405	N/A	272	288	300	308	316	324	N/A	94.10
NMG 0315AS04 DBSI	365	380	400	415	425	435	N/A	292	304	320	332	340	348	N/A	94.10
NMG 0315AA04 DBSI	400	420	435	450	460	470	N/A	320	336	348	360	368	376	N/A	94.40
NMG 0315BS04 DBSI	420	440	460	480	490	500	N/A	336	352	368	384	392	400	N/A	94.60
NMG 0315BB04 DBSI	470	495	515	530	550	560	N/A	376	396	412	424	440	448	N/A	94.80
NMG 0355AS04 DBPI	495	520	538	575	600	625	N/A	396	416	430	460	480	500	N/A	94.30
NMG 0355AA04 DBPI	550	580	600	650	675	700	N/A	440	464	480	520	540	560	N/A	94.40
NMG 0355AL04 DBPI	620	650	675	725	750	788	N/A	496	520	540	580	600	630	N/A	94.80
NMG 0355BS04 DBPI	690	725	750	800	840	875	N/A	552	580	600	640	672	700	N/A	95.10
NMG 0355BB04 DBPI	740	788	800	860	900	938	N/A	592	630	640	688	720	750	N/A	95.20
NMG 0400AA04 DBPI	810	850	880	940	980	1020	N/A	648	680	704	752	784	816	N/A	94.52
NMG 0400BS04 DBPI	900	950	1000	1050	1100	1150	N/A	720	760	800	840	880	920	N/A	94.88
NMG 0400BB04 DBPI	950	1000	1040	1100	1150	1200	N/A	760	800	832	880	920	960	N/A	95.03
NMG 0400CS04 DBPI	1100	1150	1200	1265	1325	1400	N/A	880	920	960	1012	1060	1120	N/A	95.20
NMG 0400CC04 DBPI	1190	1250	1300	1375	1440	1500	N/A	952	1000	1040	1100	1152	1200	N/A	95.37
NMG 0400DD04 DBPI	1430	1530	1560	1650	1720	1800	N/A	1144	1224	1248	1320	1376	1440	N/A	95.74
NMG 0450AA04 DBPI	1565	1650	1710	1815	1900	1980	N/A	1252	1320	1368	1452	1520	1584	N/A	95.54
NMG 0450BB04 DBPI	1780	1875	1945	2060	2155	2250	N/A	1424	1500	1556	1648	1724	1800	N/A	95.79
NMG 0450CC04 DBPI	1990	2100	2180	2310	2415	2520	N/A	1592	1680	1744	1848	1932	2016	N/A	96.02
NMG 0450DD04 DBPI	2135	2250	2335	2475	2590	2700	N/A	1708	1800	1868	1980	2072	2160	N/A	96.04
NMG 0500AA04 DAPI	2200	2315	2400	2545	2660	2775	N/A	1760	1852	1920	2036	2128	2220	N/A	96.11
NMG 0500BB04 DAPI	2420	2550	2645	2805	2930	3060	N/A	1936	2040	2116	2244	2344	2448	N/A	96.19
NMG 0500CC04 DAPI	2610	2750	2850	3025	3160	3300	N/A	2088	2200	2280	2420	2528	2640	N/A	96.39
NMG 0500DD04 DAPI	2970	3125	3240	3440	3590	3750	N/A	2376	2500	2592	2752	2872	3000	N/A	96.48

## Technical data

Standby, H class (163 K)  
Ambient 27 °C, 50 Hz, p.f 0.8

Type	1 phase				1 phase			
	380 V	400 V	415 V	220-240 V kVA	380 V	400 V	415 V	220-240 V kW
NMG 0180AA04 DBSI	20.5	22.0	20.5	13.0	16.4	17.6	16.4	10.4
NMG 0180BB04 DBSI	26.0	27.5	26.0	16.5	20.8	22.0	20.8	13.2
NMG 0180CC04 DBSI	33.0	34.5	33.0	21.0	26.4	27.6	26.4	16.8
NMG 0180DD04 DBSI	38.5	41.0	39.5	24.5	30.8	32.8	31.6	19.6
NMG 0180EE04 DBSI	44.0	46.5	44.0	28.0	35.2	37.2	35.2	22.4
NMG 0225AS04 DBSI	52.5	55.0	52.5	33.0	42.0	44.0	42.0	26.4
NMG 0225AA04 DBSI	66.0	68.5	66.0	41.0	52.8	54.8	52.8	32.8
NMG 0225BS04 DBSI	77.0	82.5	79.0	49.5	61.6	66.0	63.2	39.6
NMG 0225BB04 DBSI	83.5	88.0	84.5	53.0	66.8	70.4	67.6	42.4
NMG 0225BL04 DBSI	94.5	99.0	94.5	59.5	75.6	79.2	75.6	47.6
NMG 0270AS04 DBSI	105	110	106	66.0	84.0	88.0	84.8	52.8
NMG 0270AA04 DBSI	118	124	119	75.0	94.4	99.2	95.2	60.0
NMG 0270BS04 DBSI	131	138	132	83.0	105	110	106	66.4
NMG 0270BB04 DBSI	146	154	147	93.0	117	123	118	74.4
NMG 0270CC04 DBSI	157	165	158	99.0	126	132	126	79.2
NMG 0270DR04 DBSI	173	182	174	109	138	146	139	87.2
NMG 0270DS04 DBSI	183	193	185	116	146	154	148	92.8
NMG 0270DD04 DBSI	197	207	198	125	158	166	158	100
NMG 0270DL04 DBSI	211	222	213	133	169	178	170	106
NMG 0270ES04 DBSI	235	248	238	149	188	198	190	119
NMG 0270EE04 DBSI	262	275	264	165	210	220	211	132
NMG 0280AS04 DBSI	294	309	297	N/A	235	247	238	N/A
NMG 0280AA04 DBSI	314	330	317	N/A	251	264	254	N/A
NMG 0280AL04 DBSI	340	358	343	N/A	272	286	274	N/A
NMG 0315AS04 DBSI	366	385	370	N/A	293	308	296	N/A
NMG 0315AA04 DBSI	398	419	403	N/A	318	335	322	N/A
NMG 0315BS04 DBSI	420	443	426	N/A	336	354	341	N/A
NMG 0315BB04 DBSI	471	495	475	N/A	377	396	380	N/A
NMG 0355AS04 DBPI	523	550	528	N/A	418	440	422	N/A
NMG 0355AA04 DBPI	592	619	594	N/A	474	495	475	N/A
NMG 0355AL04 DBPI	660	688	660	N/A	528	550	528	N/A
NMG 0355BS04 DBPI	743	770	743	N/A	594	616	594	N/A
NMG 0355BB04 DBPI	798	825	798	N/A	638	660	638	N/A
NMG 0400AA04 DBPI	890	935	935	N/A	712	748	748	N/A
NMG 0400BS04 DBPI	990	1045	1045	N/A	792	836	836	N/A
NMG 0400BB04 DBPI	1045	1100	1100	N/A	836	880	880	N/A
NMG 0400CS04 DBPI	1210	1265	1265	N/A	968	1012	1012	N/A
NMG 0400CC04 DBPI	1310	1375	1375	N/A	1048	1100	1100	N/A
NMG 0400DD04 DBPI	1575	1650	1650	N/A	1260	1320	1320	N/A
NMG 0450AA04 DBPI	1720	1815	1815	N/A	1376	1452	1452	N/A
NMG 0450BB04 DBPI	1960	2065	2065	N/A	1568	1652	1652	N/A
NMG 0450CC04 DBPI	2190	2310	2310	N/A	1752	1848	1848	N/A
NMG 0450DD04 DBPI	2350	2475	2475	N/A	1880	1980	1980	N/A
NMG 0500AA04 DAPI	2420	2545	2545	N/A	1936	2036	2036	N/A
NMG 0500BB04 DAPI	2660	2805	2750	N/A	2128	2244	2200	N/A
NMG 0500CC04 DAPI	2870	3025	3025	N/A	2296	2420	2420	N/A
NMG 0500DD04 DAPI	3265	3440	3440	N/A	2612	2752	2752	N/A

## Technical data

Standby, H class (163 K)  
Ambient 27 °C, 60 Hz, p.f 0.8

Type	1 phase							1 phase						
	380 V	400 V	415 V	440 V	460 V	480 V	220-240 V kVA	380 V	400 V	415 V	440 V	460 V	480 V	220-240 V kW
NMG 0180AA04 DBSI	23.0	24.0	24.0	25.0	26.0	27.5	14.5	18.4	19.2	19.2	20.0	20.8	22.0	11.6
NMG 0180BB04 DBSI	28.5	29.5	30.5	31.5	33.0	34.0	17.5	22.8	23.6	24.4	25.2	26.4	27.2	14.0
NMG 0180CC04 DBSI	36.0	38.5	39.5	41.5	42.5	44.0	23.0	28.8	30.8	31.6	33.2	34.0	35.2	18.4
NMG 0180DD04 DBSI	42.5	46.0	48.0	49.5	50.5	51.5	27.5	34.0	36.8	38.4	39.6	40.4	41.2	22.0
NMG 0180EE04 DBSI	49.5	50.5	51.5	55.0	57.0	58.0	30.0	39.6	40.4	41.2	44.0	45.6	46.4	24.0
NMG 0225AS04 DBSI	57.0	59.0	62.5	66.0	68.0	69.0	35.5	45.6	47.2	50.0	52.8	54.4	55.2	28.4
NMG 0225AA04 DBSI	71.5	77.0	79.0	82.5	84.5	88.0	46.0	57.2	61.6	63.2	66.0	67.6	70.4	36.8
NMG 0225BS04 DBSI	83.5	88.0	93.5	96.5	99.0	102	53.0	66.8	70.4	74.8	77.2	79.2	81.6	42.4
NMG 0225BB04 DBSI	91.0	95.5	99.0	106	108	110	57.0	72.8	76.4	79.2	84.8	86.4	88.0	45.6
NMG 0225BL04 DBSI	105	108	112	116	119	123	65.0	84.0	86.4	89.6	92.8	95.2	98.4	52.0
NMG 0270AS04 DBSI	116	119	123	130	132	138	71.5	92.8	95.2	98.4	104	106	110	57.2
NMG 0270AA04 DBSI	127	132	138	143	149	154	79.0	102	106	110	114	119	123	63.2
NMG 0270BS04 DBSI	143	149	154	160	165	172	89.0	114	119	123	128	132	138	71.2
NMG 0270BB04 DBSI	162	171	176	182	187	193	103	130	137	141	146	150	154	82.4
NMG 0270CC04 DBSI	171	176	187	193	198	206	106	137	141	150	154	158	165	84.8
NMG 0270DR04 DBSI	187	193	204	215	220	226	116	150	154	163	172	176	181	92.8
NMG 0270DS04 DBSI	198	209	220	226	231	240	126	158	167	176	181	185	192	101
NMG 0270DD04 DBSI	215	226	231	242	248	259	136	172	181	185	194	198	207	109
NMG 0270DL04 DBSI	231	242	253	264	270	275	145	185	194	202	211	216	220	116
NMG 0270ES04 DBSI	259	270	281	292	303	308	162	207	216	225	234	242	246	130
NMG 0270EE04 DBSI	286	297	308	319	330	341	178	229	238	246	255	264	273	142
NMG 0280AS04 DBSI	325	336	347	358	369	385	N/A	260	269	278	286	295	308	N/A
NMG 0280AA04 DBSI	347	363	374	385	396	413	N/A	278	290	299	308	317	330	N/A
NMG 0280AL04 DBSI	374	396	413	424	435	446	N/A	299	317	330	339	348	357	N/A
NMG 0315AS04 DBSI	402	418	440	457	468	479	N/A	322	334	352	366	374	383	N/A
NMG 0315AA04 DBSI	440	462	479	495	506	517	N/A	352	370	383	396	405	414	N/A
NMG 0315BS04 DBSI	462	484	506	528	539	550	N/A	370	387	405	422	431	440	N/A
NMG 0315BB04 DBSI	517	545	567	583	605	616	N/A	414	436	454	466	484	493	N/A
NMG 0355AS04 DBPI	545	572	592	633	660	688	N/A	436	458	474	506	528	550	N/A
NMG 0355AA04 DBPI	605	638	660	715	743	770	N/A	484	510	528	572	594	616	N/A
NMG 0355AL04 DBPI	682	715	743	798	825	867	N/A	546	572	594	638	660	694	N/A
NMG 0355BS04 DBPI	759	798	825	880	924	963	N/A	607	638	660	704	739	770	N/A
NMG 0355BB04 DBPI	814	867	880	946	990	1032	N/A	651	694	704	757	792	826	N/A
NMG 0400AA04 DBPI	890	935	970	1035	1080	1120	N/A	712	748	776	828	864	896	N/A
NMG 0400BS04 DBPI	990	1045	1100	1155	1210	1265	N/A	792	836	880	924	968	1012	N/A
NMG 0400BB04 DBPI	1045	1100	1145	1210	1265	1320	N/A	836	880	916	968	1012	1056	N/A
NMG 0400CS04 DBPI	1210	1265	1320	1390	1460	1540	N/A	968	1012	1056	1112	1168	1232	N/A
NMG 0400CC04 DBPI	1310	1375	1430	1515	1585	1650	N/A	1048	1100	1144	1212	1268	1320	N/A
NMG 0400DD04 DBPI	1575	1685	1715	1815	1890	1980	N/A	1260	1348	1372	1452	1512	1584	N/A
NMG 0450AA04 DBPI	1720	1815	1880	1995	2090	2180	N/A	1376	1452	1504	1596	1672	1744	N/A
NMG 0450BB04 DBPI	1960	2065	2140	2265	2370	2475	N/A	1568	1652	1712	1812	1896	1980	N/A
NMG 0450CC04 DBPI	2190	2310	2400	2540	2655	2770	N/A	1752	1848	1920	2032	2124	2216	N/A
NMG 0450DD04 DBPI	2350	2475	2570	2725	2850	2970	N/A	1880	1980	2056	2180	2280	2376	N/A
NMG 0500AA04 DAPI	2420	2545	2640	2800	2925	3055	N/A	1936	2036	2112	2240	2340	2444	N/A
NMG 0500BB04 DAPI	2660	2805	2910	3085	3225	3365	N/A	2128	2244	2328	2468	2580	2692	N/A
NMG 0500CC04 DAPI	2870	3025	3135	3330	3475	3630	N/A	2296	2420	2508	2664	2780	2904	N/A
NMG 0500DD04 DAPI	3265	3440	3565	3785	3950	4125	N/A	2612	2752	2852	3028	3160	3300	N/A

## Technical data

Standby, H class (150 K)  
Ambient 40 °C, 50 Hz, p.f 0.8

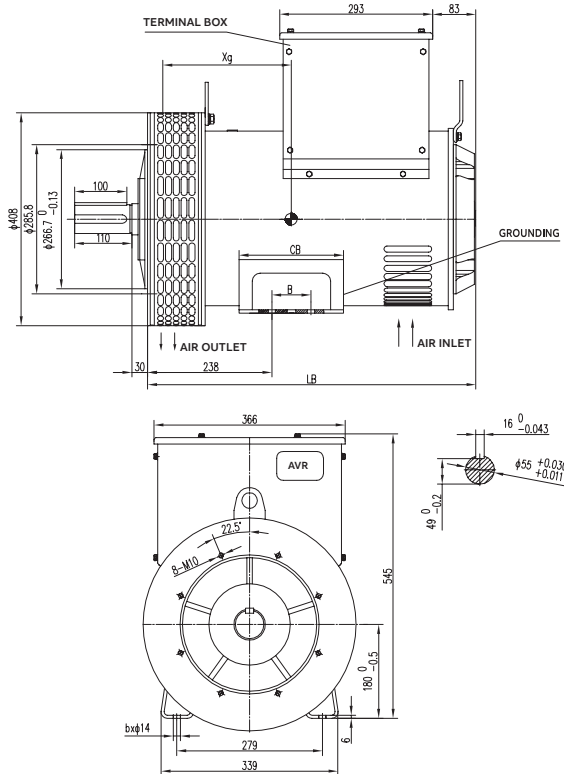
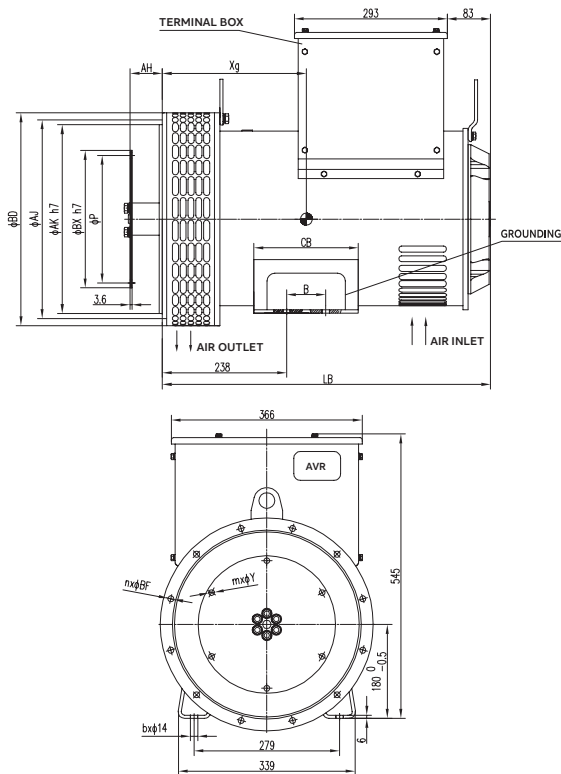
Type	1 phase				1 phase			
	380 V	400 V	415 V	220-240 V kVA	380 V	400 V	415 V	220-240 V kW
NMG 0180AA04 DBSI	20.0	21.0	20.0	12.5	16.0	16.8	16.0	10.0
NMG 0180BB04 DBSI	25.0	26.5	25.0	16.0	20.0	21.2	20.0	12.8
NMG 0180CC04 DBSI	31.5	33.0	31.5	20.0	25.2	26.4	25.2	16.0
NMG 0180DD04 DBSI	37.0	39.5	38.0	24.0	29.6	31.6	30.4	19.2
NMG 0180EE04 DBSI	42.0	45.0	42.0	27.0	33.6	36.0	33.6	21.6
NMG 0225AS04 DBSI	50.5	53.0	50.5	32.0	40.4	42.4	40.4	25.6
NMG 0225AA04 DBSI	63.5	66.0	63.5	39.5	50.8	52.8	50.8	31.6
NMG 0225BS04 DBSI	74.0	79.5	76.0	47.5	59.2	63.6	60.8	38.0
NMG 0225BB04 DBSI	80.5	84.5	81.5	51.0	64.4	67.6	65.2	40.8
NMG 0225BL04 DBSI	91.0	95.0	91.0	57.0	72.8	76.0	72.8	45.6
NMG 0270AS04 DBSI	101	106	102	64.0	80.8	84.8	81.6	51.2
NMG 0270AA04 DBSI	113	120	114	72.0	90.4	96.0	91.2	57.6
NMG 0270BS04 DBSI	126	133	127	80.0	101	106	102	64.0
NMG 0270BB04 DBSI	141	148	142	89.0	113	118	114	71.2
NMG 0270CC04 DBSI	152	159	153	96.0	122	127	122	76.8
NMG 0270DR04 DBSI	166	175	167	105	133	140	134	84.0
NMG 0270DS04 DBSI	176	186	178	112	141	149	142	89.6
NMG 0270DD04 DBSI	190	199	191	120	152	159	153	96.0
NMG 0270DL04 DBSI	204	214	206	129	163	171	165	103
NMG 0270ES04 DBSI	227	239	229	143	182	191	183	114
NMG 0270EE04 DBSI	252	265	254	159	202	212	203	127
NMG 0280AS04 DBSI	283	298	286	N/A	226	238	229	N/A
NMG 0280AA04 DBSI	302	318	305	N/A	242	254	244	N/A
NMG 0280AL04 DBSI	328	345	331	N/A	262	276	265	N/A
NMG 0315AS04 DBSI	353	371	356	N/A	282	297	285	N/A
NMG 0315AA04 DBSI	384	404	388	N/A	307	323	310	N/A
NMG 0315BS04 DBSI	405	427	410	N/A	324	342	328	N/A
NMG 0315BB04 DBSI	454	477	458	N/A	363	382	366	N/A
NMG 0355AS04 DBPI	499	525	504	N/A	399	420	403	N/A
NMG 0355AA04 DBPI	565	591	567	N/A	452	473	454	N/A
NMG 0355AL04 DBPI	630	656	630	N/A	504	525	504	N/A
NMG 0355BS04 DBPI	709	735	709	N/A	567	588	567	N/A
NMG 0355BB04 DBPI	761	788	761	N/A	609	630	609	N/A
NMG 0400AA04 DBPI	860	900	900	N/A	688	720	720	N/A
NMG 0400BS04 DBPI	955	1005	1005	N/A	764	804	804	N/A
NMG 0400BB04 DBPI	1005	1060	1060	N/A	804	848	848	N/A
NMG 0400CS04 DBPI	1165	1220	1220	N/A	932	976	976	N/A
NMG 0400CC04 DBPI	1260	1325	1325	N/A	1008	1060	1060	N/A
NMG 0400DD04 DBPI	1515	1590	1590	N/A	1212	1272	1272	N/A
NMG 0450AA04 DBPI	1630	1715	1715	N/A	1304	1372	1372	N/A
NMG 0450BB04 DBPI	1850	1950	1950	N/A	1480	1560	1560	N/A
NMG 0450CC04 DBPI	2070	2185	2185	N/A	1656	1748	1748	N/A
NMG 0450DD04 DBPI	2220	2340	2340	N/A	1776	1872	1872	N/A
NMG 0500AA04 DAPI	2310	2430	2430	N/A	1848	1944	1944	N/A
NMG 0500BB04 DAPI	2540	2680	2625	N/A	2032	2144	2100	N/A
NMG 0500CC04 DAPI	2740	2890	2890	N/A	2192	2312	2312	N/A
NMG 0500DD04 DAPI	3120	3280	3280	N/A	2496	2624	2624	N/A

## Technical data

Standby, H class (150 K)  
Ambient 40 °C, 60 Hz, p.f 0.8

Type	1 phase							1 phase						
	380 V	400 V	415 V	440 V	460 V	480 V	220-240 V kVA	380 V	400 V	415 V	440 V	460 V	480 V	220-240 V kW
NMG 0180AA04 DBSI	22.0	23.0	23.0	24.0	25.0	26.5	14.0	17.6	18.4	18.4	19.2	20.0	21.2	11.2
NMG 0180BB04 DBSI	27.5	28.5	29.5	30.5	31.5	32.5	17.0	22.0	22.8	23.6	24.4	25.2	26.0	13.6
NMG 0180CC04 DBSI	34.5	37.0	38.0	40.0	41.0	42.0	22.5	27.6	29.6	30.4	32.0	32.8	33.6	18.0
NMG 0180DD04 DBSI	41.0	44.5	46.5	47.5	48.5	49.5	26.5	32.8	35.6	37.2	38.0	38.8	39.6	21.2
NMG 0180EE04 DBSI	47.5	48.5	49.5	53.0	55.0	56.0	29.0	38.0	38.8	39.6	42.4	44.0	44.8	23.2
NMG 0225AS04 DBSI	55.0	57.0	60.0	63.5	65.5	66.5	34.5	44.0	45.6	48.0	50.8	52.4	53.2	27.6
NMG 0225AA04 DBSI	68.5	74.0	76.0	79.5	81.5	84.5	44.5	54.8	59.2	60.8	63.6	65.2	67.6	35.6
NMG 0225BS04 DBSI	80.5	84.5	90.0	93.0	95.0	98.5	51.0	64.4	67.6	72.0	74.4	76.0	78.8	40.8
NMG 0225BB04 DBSI	87.5	92.0	95.0	102	104	106	55.0	70.0	73.6	76.0	81.6	83.2	84.8	44.0
NMG 0225BL04 DBSI	101	104	108	111	114	119	62.5	80.8	83.2	86.4	88.8	91.2	95.2	50.0
NMG 0270AS04 DBSI	111	114	119	125	127	133	69.0	88.8	91.2	95.2	100	101.6	106.4	55.2
NMG 0270AA04 DBSI	122	127	133	138	143	148	76.5	97.6	102	106	110	114	118	61.2
NMG 0270BS04 DBSI	138	143	148	154	159	165	86.0	110	114	118	123	127	132	68.8
NMG 0270BB04 DBSI	156	164	170	175	180	186	98.5	125	131	136	140	144	149	78.8
NMG 0270CC04 DBSI	164	170	180	186	191	198	102	131	136	144	149	153	158	81.6
NMG 0270DR04 DBSI	180	186	196	207	212	217	112	144	149	157	166	170	174	89.6
NMG 0270DS04 DBSI	191	201	212	217	223	231	121	153	161	170	174	178	185	96.8
NMG 0270DD04 DBSI	207	217	223	233	239	249	131	166	174	178	186	191	199	105
NMG 0270DL04 DBSI	223	233	244	254	260	265	140	178	186	195	203	208	212	112
NMG 0270ES04 DBSI	249	260	270	281	292	297	156	199	208	216	225	234	238	125
NMG 0270EE04 DBSI	276	286	297	307	318	329	172	221	229	238	246	254	263	138
NMG 0280AS04 DBSI	313	323	334	345	355	371	N/A	250	258	267	276	284	297	N/A
NMG 0280AA04 DBSI	334	350	360	371	382	398	N/A	267	280	288	297	306	318	N/A
NMG 0280AL04 DBSI	360	382	398	408	419	429	N/A	288	306	318	326	335	343	N/A
NMG 0315AS04 DBSI	387	403	424	440	451	461	N/A	310	322	339	352	361	369	N/A
NMG 0315AA04 DBSI	424	445	461	477	488	498	N/A	339	356	369	382	390	398	N/A
NMG 0315BS04 DBSI	445	466	488	509	519	530	N/A	356	373	390	407	415	424	N/A
NMG 0315BB04 DBSI	498	525	540	562	583	594	N/A	398	420	432	450	466	475	N/A
NMG 0355AS04 DBPI	520	546	565	604	630	656	N/A	416	437	452	483	504	525	N/A
NMG 0355AA04 DBPI	578	609	630	683	709	735	N/A	462	487	504	546	567	588	N/A
NMG 0355AL04 DBPI	651	683	709	761	788	828	N/A	521	546	567	609	630	662	N/A
NMG 0355BS04 DBPI	725	761	788	840	882	919	N/A	580	609	630	672	706	735	N/A
NMG 0355BB04 DBPI	777	828	840	903	945	985	N/A	622	662	672	722	756	788	N/A
NMG 0400AA04 DBPI	860	900	935	995	1040	1080	N/A	688	720	748	796	832	864	N/A
NMG 0400BS04 DBPI	955	1005	1060	1115	1165	1220	N/A	764	804	848	892	932	976	N/A
NMG 0400BB04 DBPI	1005	1060	1100	1165	1220	1270	N/A	804	848	880	932	976	1016	N/A
NMG 0400CS04 DBPI	1165	1220	1270	1340	1405	1485	N/A	932	976	1016	1072	1124	1188	N/A
NMG 0400CC04 DBPI	1260	1325	1380	1460	1525	1590	N/A	1008	1060	1104	1168	1220	1272	N/A
NMG 0400DD04 DBPI	1515	1620	1655	1750	1825	1910	N/A	1212	1296	1324	1400	1460	1528	N/A
NMG 0450AA04 DBPI	1630	1715	1780	1890	1975	2060	N/A	1304	1372	1424	1512	1580	1648	N/A
NMG 0450BB04 DBPI	1850	1950	2025	2140	2240	2340	N/A	1480	1560	1620	1712	1792	1872	N/A
NMG 0450CC04 DBPI	2070	2185	2265	2400	2510	2620	N/A	1656	1748	1812	1920	2008	2096	N/A
NMG 0450DD04 DBPI	2220	2340	2430	2575	2695	2810	N/A	1776	1872	1944	2060	2156	2248	N/A
NMG 0500AA04 DAPI	2310	2430	2520	2670	2795	2915	N/A	1848	1944	2016	2136	2236	2332	N/A
NMG 0500BB04 DAPI	2540	2680	2775	2945	3075	3215	N/A	2032	2144	2220	2356	2460	2572	N/A
NMG 0500CC04 DAPI	2740	2890	2995	3175	3320	3465	N/A	2192	2312	2396	2540	2656	2772	N/A
NMG 0500DD04 DAPI	3120	3280	3400	3610	3770	3940	N/A	2496	2624	2720	2888	3016	3152	N/A

# Outline drawing NMG 0180



### Single bearing

Frame dimensions (mm)					
Type	B	CB	LB	b	Xg
NMG 0180AA04 DBSI	NA	160	527	2	236
NMG 0180BB04 DBSI	NA	160	551	2	242
NMG 0180CC04 DBSI	75	200	567	4	251
NMG 0180DD04 DBSI	75	200	616	4	275
NMG 0180EE04 DBSI	75	200	629	4	282

Flange dimensions (mm)						
S.A.E	AK	AJ	BD	BF	n	a
3	409.6	428.6	458	11.5	12	15°
4	362.0	381.0	408	11.5	12	15°
5	314.3	333.4	408	11.5	8	22.5°

Flex disc dimensions (mm)					
S.A.E	BX	P	AH	Y	m
11 <sup>1/2</sup>	352.3	333.4	39.6	11	8
10	314.2	295.3	53.8	11	8
7 <sup>1/2</sup>	241.2	222.2	30.2	8.7	8
6 <sup>1/2</sup>	215.8	200.0	30.2	8.7	6

Transportation parameters				
Type	Net weight (kg)	Gross weight (kg)	Packing dimensions (mm)	
NMG 0180AA04 DBSI	133	150	650×450×690	
NMG 0180BB04 DBSI	140	157	675×450×690	
NMG 0180CC04 DBSI	160	178	690×450×690	
NMG 0180DD04 DBSI	165	184	740×450×690	
NMG 0180EE04 DBSI	205	224	755×450×690	

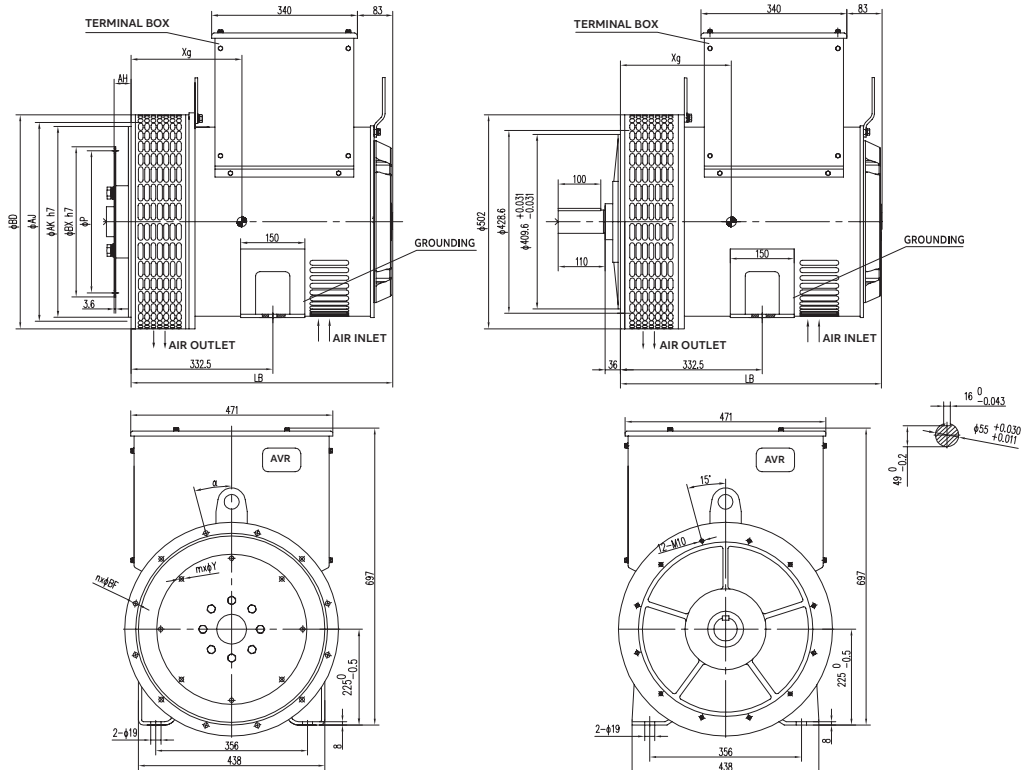
### Double bearing

Frame dimensions (mm)					
Type	B	CB	LB	b	Xg
NMG 0180AA04 DASI	NA	160	527	2	236
NMG 0180BB04 DASI	NA	160	551	2	242
NMG 0180CC04 DASI	75	200	567	4	251
NMG 0180DD04 DASI	75	200	616	4	275
NMG 0180EE04 DASI	75	200	629	4	282

Transportation parameters			
Type	Net weight (kg)	Gross weight (kg)	Packing dimensions (mm)
NMG 0180AA04 DASI	135	154	720×450×690
NMG 0180BB04 DASI	145	162	760×450×690
NMG 0180CC04 DASI	160	178	800×450×690
NMG 0180DD04 DASI	164	182	840×450×690
NMG 0180EE04 DASI	190	210	840×450×690



# Outline drawing NMG 0225



## Single bearing

Frame dimensions (mm)		
Type	LB	Xg
NMG 0225AS04 DBSI	614	277
NMG 0225AA04 DBSI	614	288
NMG 0225BS04 DBSI	647	302
NMG 0225BB04 DBSI	647	306
NMG 0225BL04 DBSI	647	312

Flange dimensions (mm)						
S.A.E	AK	AJ	BD	BF	n	a
1	511.2	530.2	559	11.5	12	15°
2	447.7	466.7	502	11.5	12	15°
3	409.6	428.6	502	11.5	12	15°
4	362.0	381.0	502	11.5	12	15°

Flex disc dimensions (mm)					
S.A.E	BX	P	AH	Y	m
14	466.6	438.2	25.4	13.5	8
11 <sup>1/2</sup>	352.3	333.4	39.6	11	8
10	314.2	295.3	53.8	11	8

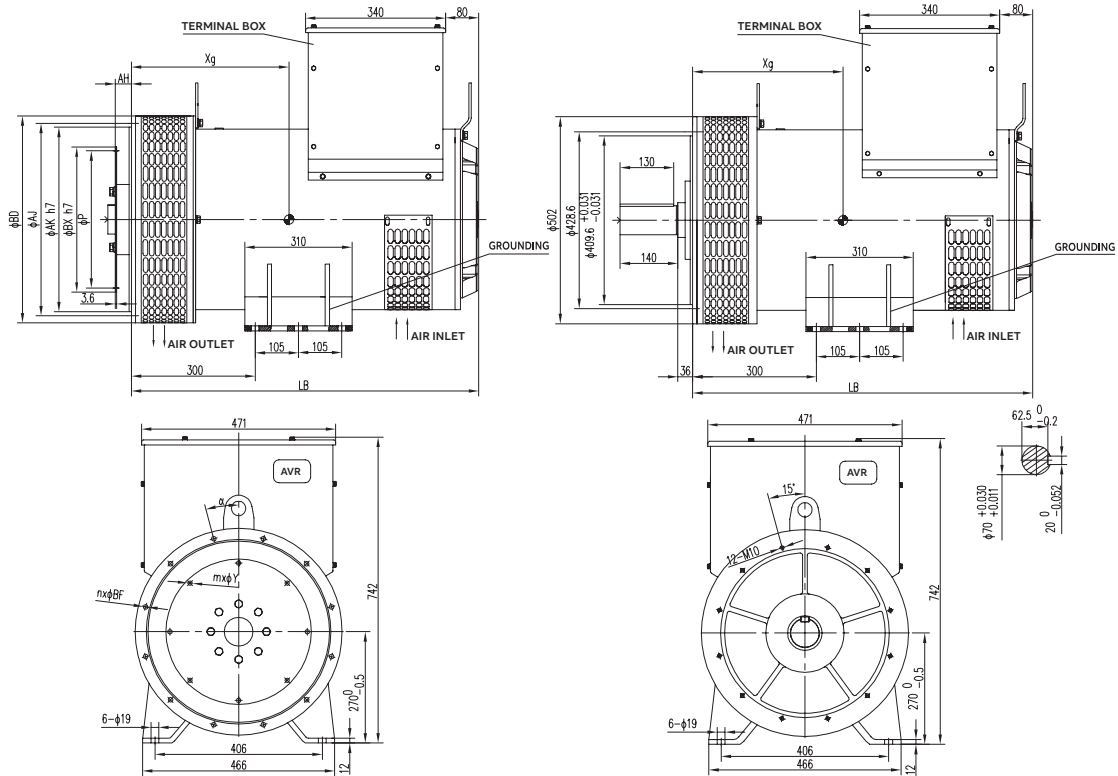
Transportation parameters				
Type	Net weight (kg)	Gross weight (kg)	Packing dimensions (mm)	
NMG 0225AS04 DBSI	240	265	720×550×850	
NMG 0225AA04 DBSI	266	291	720×550×850	
NMG 0225BS04 DBSI	290	315	755×550×850	
NMG 0225BB04 DBSI	300	325	755×550×850	
NMG 0225BL04 DBSI	312	337	755×550×850	

## Double bearing

Frame dimensions (mm)		
Type	LB	Xg
NMG 0225AS04 DASI	615	277
NMG 0225AA04 DASI	615	288
NMG 0225BS04 DASI	647	302
NMG 0225BB04 DASI	647	306
NMG 0225BL04 DASI	647	312

Transportation parameters			
Type	Net weight (kg)	Gross weight (kg)	Packing dimensions (mm)
NMG 0225AS04 DASI	235	261	810×550×850
NMG 0225AA04 DASI	261	287	810×550×850
NMG 0225BS04 DASI	268	295	840×550×850
NMG 0225BB04 DASI	275	302	840×550×850
NMG 0225BL04 DASI	294	321	840×550×850

# Outline drawing NMG 0270 A-C



## Single bearing

Frame dimensions (mm)		
Type	LB	Xg
NMG 0270AS04 DBSI	697	309
NMG 0270AA04 DBSI	697	327
NMG 0270BS04 DBSI	814	342
NMG 0270BB04 DBSI	814	382
NMG 0270CC04 DBSI	847	390

Flange dimensions (mm)						
S.A.E	AK	AJ	BD	BF	n	a
1	511.2	530.2	559	11.5	12	15°
2	447.7	466.7	502	11.5	12	15°
4	409.6	428.6	502	11.5	12	15°
3	362.0	381.0	502	11.5	12	15°

Flex disc dimensions (mm)					
S.A.E	BX	P	AH	Y	m
14	466.6	438.2	25.4	13.5	8
11 <sup>1/2</sup>	352.3	333.4	39.6	11	8
10	314.2	295.3	53.8	11	8

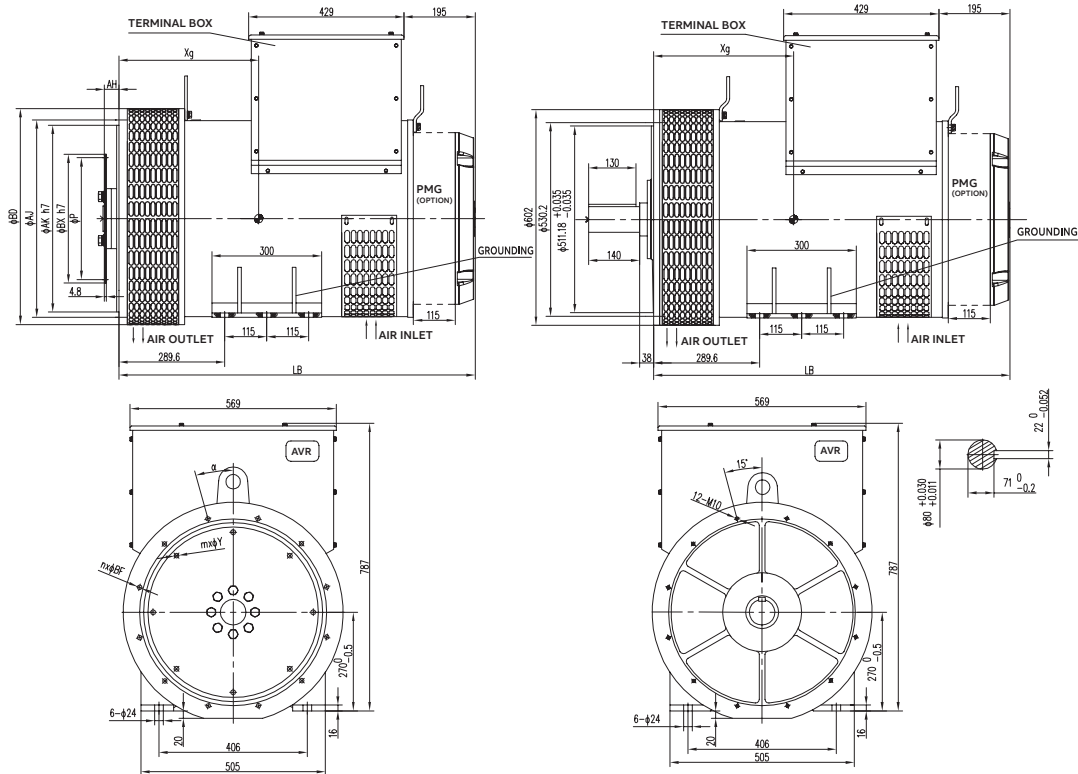
Transportation parameters			
Type	Net weight (kg)	Gross weight (kg)	Packing dimensions (mm)
NMG 0270AS04 DBSI	352	382	810×550×890
NMG 0270AA04 DBSI	365	395	810×550×890
NMG 0270BS04 DBSI	415	445	930×550×890
NMG 0270BB04 DBSI	450	480	960×550×890
NMG 0270CC04 DBSI	475	505	980×550×890

## Double bearing

Frame dimensions (mm)		
Type	LB	Xg
NMG 0270AS04 DASI	697	309
NMG 0270AA04 DASI	697	327
NMG 0270BS04 DASI	814	342
NMG 0270BB04 DASI	814	382
NMG 0270CC04 DASI	847	390

Transportation parameters			
Type	Net weight (kg)	Gross weight (kg)	Packing dimensions (mm)
NMG 0270AS04 DASI	345	376	930×550×890
NMG 0270AA04 DASI	360	392	930×550×890
NMG 0270BS04 DASI	410	442	1040×550×890
NMG 0270BB04 DASI	446	478	1070×550×890
NMG 0270CC04 DASI	472	504	1090×550×890

# Outline drawing NMG 0270 D-E



### Single bearing

Frame dimensions (mm)		
Type	LB	Xg
NMG 0270DR04 DBSI	975	356
NMG 0270DS04 DBSI	975	361
NMG 0270DD04 DBSI	975	374
NMG 0270DL04 DBSI	975	384
NMG 0270ES04 DBSI	1030	399
NMG 0270EE04 DBSI	1030	411

Flange dimensions (mm)						
S.A.E	AK	AJ	BD	BF	n	a
3	409.6	428.6	602	11.5	12	15°
2	447.7	466.7	602	11.5	12	15°
1	511.2	530.2	602	12.5	12	15°
1/2	584.2	619.1	650	13.5	12	15°

Flex disc dimensions (mm)					
S.A.E	BX	P	AH	Y	m
11 <sup>1/2</sup>	352.3	333.4	39.6	11	8
14	466.6	438.2	25.4	13.5	8

Transportation parameters			
Type	Net weight (kg)	Gross weight (kg)	Packing dimensions (mm)
NMG 0270DR04 DBSI	540	576	1090×660×950
NMG 0270DS04 DBSI	560	596	1090×660×950
NMG 0270DD04 DBSI	570	606	1090×660×950
NMG 0270DL04 DBSI	605	645	1090×660×950
NMG 0270ES04 DBSI	650	690	1150×660×950
NMG 0270EE04 DBSI	700	740	1150×660×950

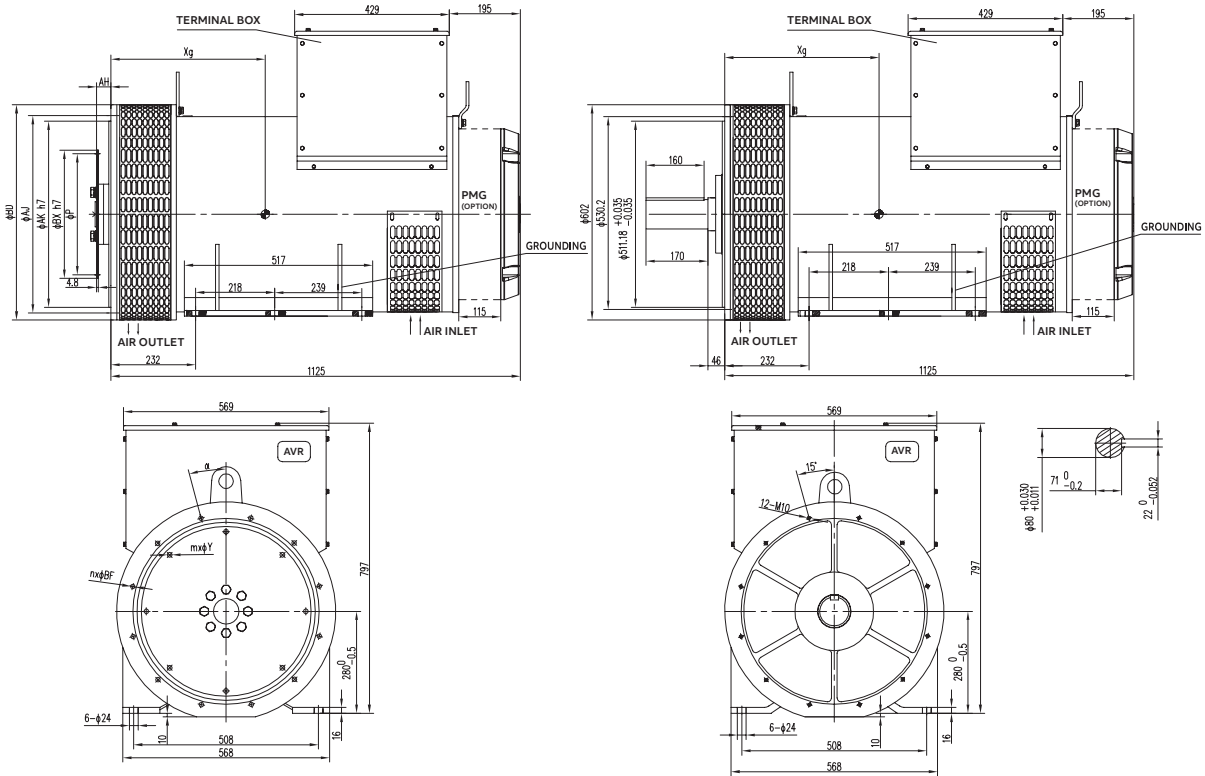
### Double bearing

Frame dimensions (mm)		
Type	LB	Xg
NMG 0270DR04 DASI	975	356
NMG 0270DS04 DASI	975	361
NMG 0270DD04 DASI	975	374
NMG 0270DL04 DASI	975	384
NMG 0270ES04 DASI	1030	399
NMG 0270EE04 DASI	1030	411

Transportation parameters			
Type	Net weight (kg)	Gross weight (kg)	Packing dimensions (mm)
NMG 0270DR04 DASI	523	560	1210×660×950
NMG 0270DS04 DASI	532	569	1210×660×950
NMG 0270DD04 DASI	542	579	1210×660×950
NMG 0270DL04 DASI	595	636	1210×660×950
NMG 0270ES04 DASI	620	661	1270×660×950
NMG 0270EE04 DASI	695	736	1270×660×950

- Generators with PMG:  
 1) Weight increase 20 kg for net weight and gross weight;  
 2) No change for packing dimensions.

# Outline drawing NMG 0280



## Single bearing

Frame dimensions (mm)	
Type	Xg
NMG 0280AS04 DBSI	424
NMG 0280AA04 DBSI	446
NMG 0280AL04 DBSI	464

Flange dimensions (mm)						
S.A.E	AK	AJ	BD	BF	n	a
3	409.6	428.6	602	11.5	12	15°
2	447.7	466.7	602	11.5	12	15°
1	511.2	530.2	602	12.5	12	15°
1/2	584.2	619.1	650	13.5	12	15°

Flex disc dimensions (mm)					
S.A.E	BX	P	AH	Y	m
11 <sup>1/2</sup>	352.3	333.4	39.6	11	8
14	466.6	438.2	25.4	13.5	8

Transportation parameters				
Type	Net weight (kg)	Gross weight (kg)	Packing dimensions (mm)	
NMG 0280AS04 DBSI	710	748	1240×660×960	
NMG 0280AA04 DBSI	765	802	1240×660×960	
NMG 0280AL04 DBSI	815	852	1240×660×960	

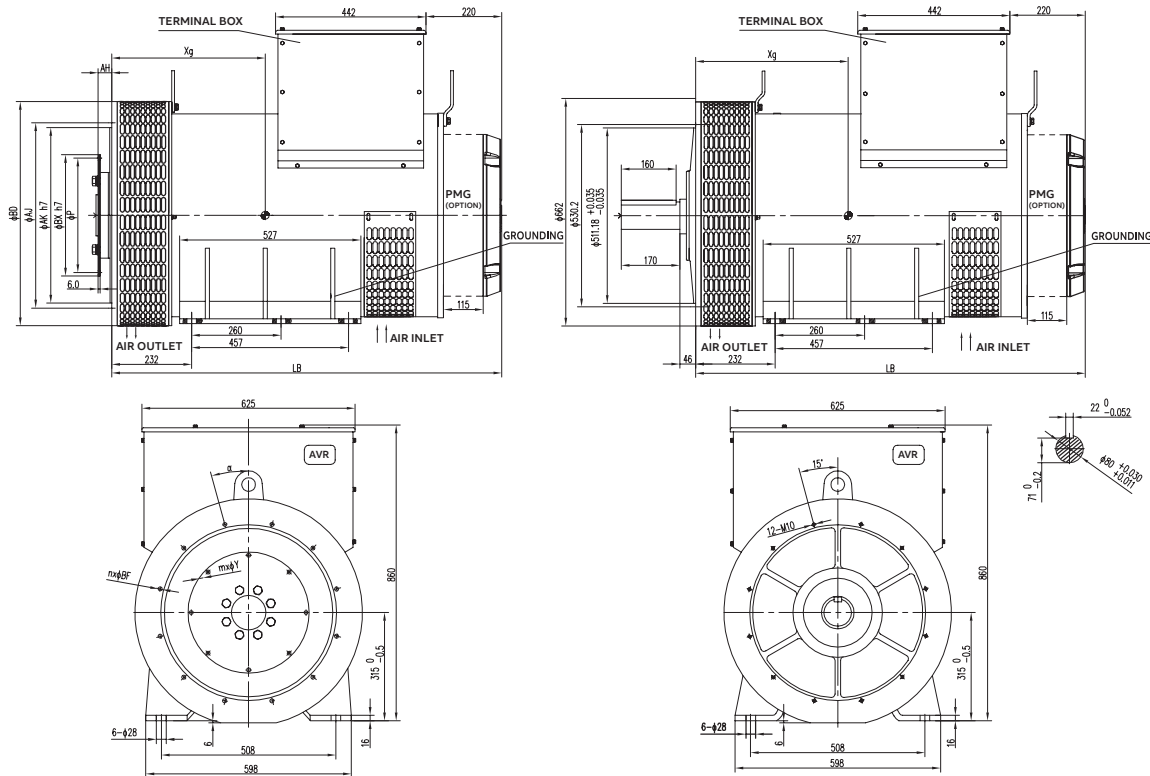
## Double bearing

Frame dimensions (mm)	
Type	Xg
NMG 0280AS04 DASI	424
NMG 0280AA04 DASI	446
NMG 0280AL04 DASI	464

Transportation parameters			
Type	Net weight (kg)	Gross weight (kg)	Packing dimensions (mm)
NMG 0280AS04 DASI	706	745	1400×660×960
NMG 0280AA04 DASI	765	804	1400×660×960
NMG 0280AL04 DASI	788	827	1400×660×960

- Generators with PMG:
- 1) Weight increase 20 kg for net weight and gross weight;
  - 2) No change for packing dimensions.

# Outline drawing NMG 0315



## Single bearing

Frame dimensions (mm)		
Type	LB	Xg
NMG 0315AS04 DBSI	1134	446
NMG 0315AA04 DBSI	1134	464
NMG 0315BS04 DBSI	1224	486
NMG 0315BB04 DBSI	1224	511

Flange dimensions (mm)						
S.A.E	AK	AJ	BD	BF	n	a
3	409.6	428.6	662	11.5	12	15°
2	447.7	466.7	662	11.5	12	15°
1	511.2	530.2	662	12.5	12	15°
1/2	584.2	619.1	662	13.5	12	15°
0	647.6	679.5	711	14	16	11.25°

Flex disc dimensions (mm)					
S.A.E	BX	P	AH	Y	m
11 <sup>1/2</sup>	352.3	333.4	39.6	11	8
14	466.6	438.2	25.4	13.5	8
18	571.5	543.0	15.7	16.7	6

Transportation parameters			
Type	Net weight (kg)	Gross weight (kg)	Packing dimensions (mm)
NMG 0315AS04 DBSI	935	995	1250×720×1030
NMG 0315AA04 DBSI	985	1045	1250×720×1030
NMG 0315BS04 DBSI	1060	1122	1340×720×1030
NMG 0315BB04 DBSI	1145	1207	1340×720×1030

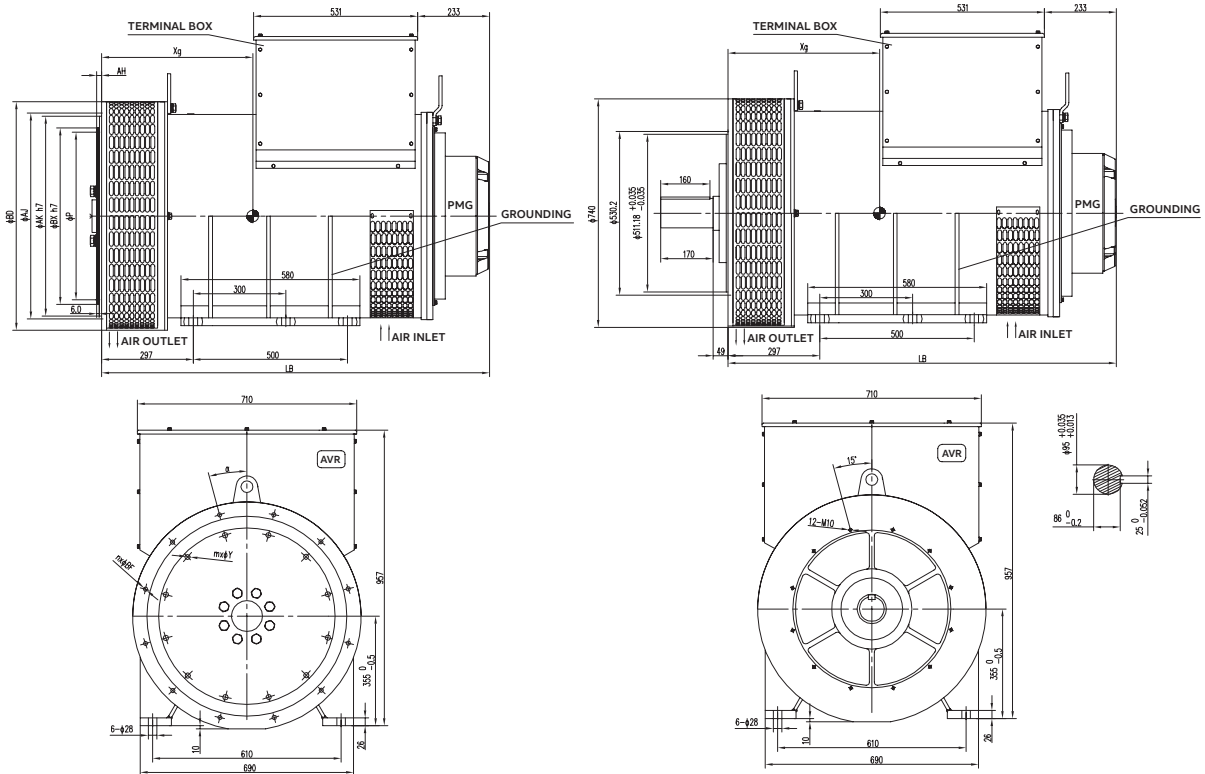
## Double bearing

Frame dimensions (mm)		
Type	LB	Xg
NMG 0315AS04 DASI	1134	446
NMG 0315AA04 DASI	1134	464
NMG 0315BS04 DASI	1224	486
NMG 0315BB04 DASI	1224	511

Transportation parameters			
Type	Net weight (kg)	Gross weight (kg)	Packing dimensions (mm)
NMG 0315AS04 DASI	937	998	1410×720×1030
NMG 0315AA04 DASI	964	1025	1410×720×1030
NMG 0315BS04 DASI	1067	1130	1500×720×1030
NMG 0315BB04 DASI	1111	1174	1500×720×1030

- Generators with PMG:  
 1) Weight increase 20 kg for net weight and gross weight;  
 2) No change for packing dimensions.

# Outline drawing NMG 0355



## Single bearing

Frame dimensions (mm)			
Type	LB	Type	Xg
NMG 0355AS04 DBPI	1257		492.4
NMG 0355AA04 DBPI	1257		512.4
NMG 0355AL04 DBPI	1257		527.4
NMG 0355BS04 DBPI	1347		564.9
NMG 0355BB04 DBPI	1347		584.9

Flange dimensions (mm)						
S.A.E	AK	AJ	BD	BF	n	a
2	447.7	466.7	740	11.5	12	15°
1	511.2	530.2	740	13.5	12	15°
1/2	584.2	619.1	740	13.5	12	15°
0	647.6	679.5	740	13.5	16	11.25°
00	787.4	850.9	882	13.5	16	11.25°

Flex disc dimensions (mm)					
S.A.E	BX	P	AH	Y	m
11 <sup>1/2</sup>	352.3	333.4	39.6	11	8
14	466.6	438.2	25.4	13.5	8
18	571.5	543.0	15.7	16.7	6

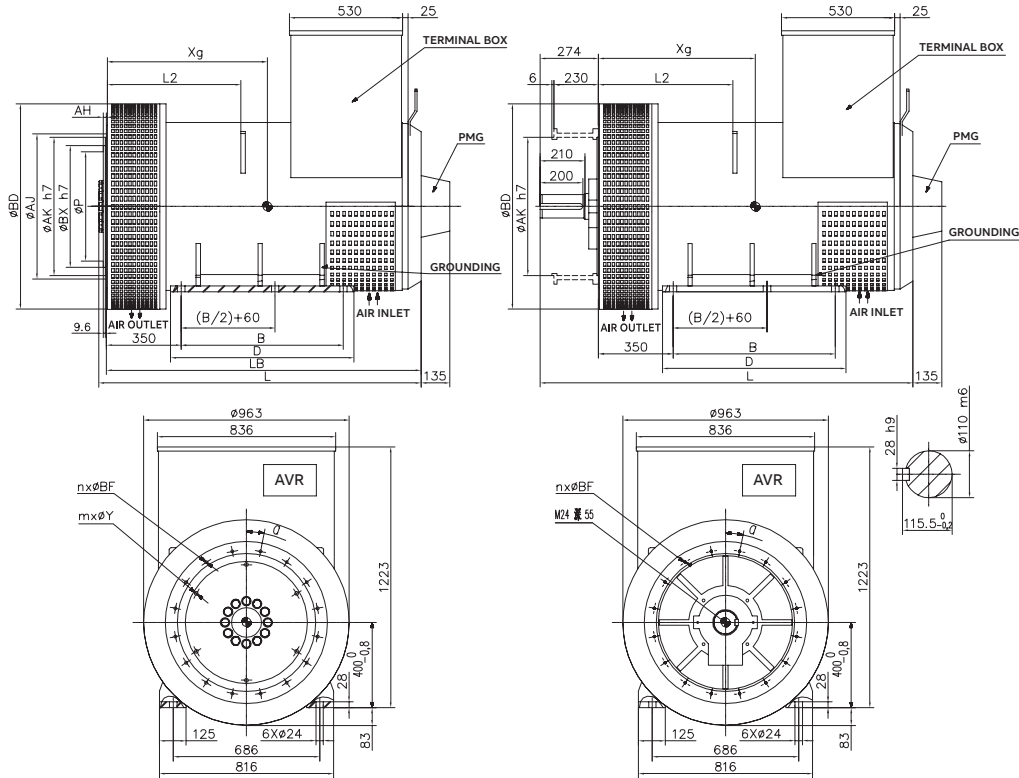
Transportation parameters			
Type	Net weight (kg)	Gross weight (kg)	Packing dimensions (mm)
NMG 0355AS04 DBPI	1275	1350	1370x800x1140
NMG 0355AA04 DBPI	1400	1475	1370x800x1140
NMG 0355AL04 DBPI	1460	1535	1370x800x1140
NMG 0355BS04 DBPI	1580	1660	1460x800x1140
NMG 0355BB04 DBPI	1610	1690	1460x800x1140

## Double bearing

Frame dimensions (mm)			
Type	LB	Type	Xg
NMG 0355AS04 DAPI	1257		492.4
NMG 0355AA04 DAPI	1257		512.4
NMG 0355AL04 DAPI	1257		527.4
NMG 0355BS04 DAPI	1347		564.9
NMG 0355BB04 DAPI	1347		584.9

Transportation parameters			
Type	Net weight (kg)	Gross weight (kg)	Packing dimensions (mm)
NMG 0355AS04 DAPI	1195	1275	1545x800x1140
NMG 0355AA04 DAPI	1320	1400	1545x800x1140
NMG 0355AL04 DAPI	1380	1460	1545x800x1140
NMG 0355BS04 DAPI	1500	1585	1635x800x1140
NMG 0355BB04 DAPI	1530	1615	1635x800x1140

# Outline drawing NMG 0400



## Single bearing

Frame dimensions (mm)						
Type	B	D	LB	L	L2	Xg
NMG 0400AA04 DBPI	460	560	1184	1221	471	590
NMG 0400BS04 DBPI	520	620	1274	1311	541	650
NMG 0400BB04 DBPI	520	620	1274	1311	541	660
NMG 0400CS04 DBPI	600	700	1354	1391	581	690
NMG 0400CC04 DBPI	600	700	1354	1391	581	700
NMG 0400DD04 DBPI	760	860	1474	1511	621	770

Flange dimensions (mm)						
S.A.E	AK	AJ	BD	BF	n	a
0	647.7	679.5	963	14	16	11.25°
00	787.4	850.9	963	14	16	11.25°

Flex disc dimensions (mm)					
S.A.E	BX	P	AH	Y	m
18	571.5	542.9	15.7	18	6
21	673.1	641.3	0	18	12

Transportation parameters			
Type	Net weight (kg)	Gross weight (kg)	Packing dimensions (mm)
NMG 0400AA04 DBPI	2070	2294	1705x1180x1565
NMG 0400BS04 DBPI	2260	2484	1705x1180x1565
NMG 0400BB04 DBPI	2330	2554	1705x1180x1565
NMG 0400CS04 DBPI	2510	2751	1905x1180x1565
NMG 0400CC04 DBPI	2580	2821	1905x1180x1565
NMG 0400DD04 DBPI	2910	3151	1905x1180x1565

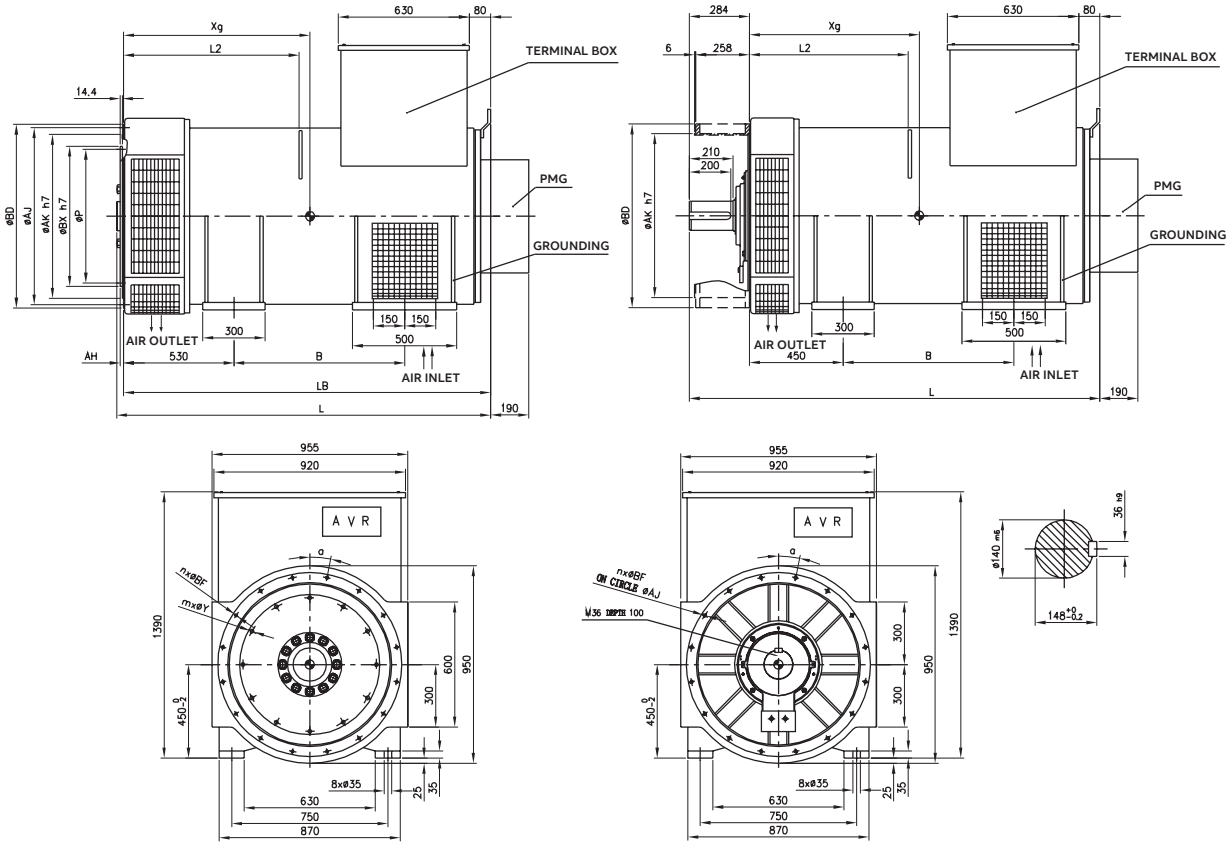
## Double bearing

Frame dimensions (mm)					
Type	B	D	L	L2	Xg
NMG 0400AA04 DAPI	460	560	1458	471	575
NMG 0400BS04 DAPI	520	620	1548	541	635
NMG 0400BB04 DAPI	520	620	1548	541	645
NMG 0400CS04 DAPI	600	700	1628	581	675
NMG 0400CC04 DAPI	600	700	1628	581	685
NMG 0400DD04 DAPI	760	860	1748	621	750

Flange dimensions (mm)						(Option)
S.A.E	AK	AJ	BD	BF	n	a
0	647.7	679.5	963	14	16	11.25°
00	787.4	850.9	963	14	16	11.25°

Transportation parameters			
Type	Net weight (kg)	Gross weight (kg)	Packing dimensions (mm)
NMG 0400AA04 DAPI	2130	2368	1860x1180x1565
NMG 0400BS04 DAPI	2320	2558	1860x1180x1565
NMG 0400BB04 DAPI	2390	2628	1860x1180x1565
NMG 0400CS04 DAPI	2640	2891	2060x1180x1565
NMG 0400CC04 DAPI	2670	2921	2060x1180x1565
NMG 0400DD04 DAPI	2960	3211	2060x1180x1565

# Outline drawing NMG 0450



### Single bearing

Frame dimensions (mm)					
Type	B	LB	L	L2	Xg
NMG 0450AA04 DBPI	720	1645	1680	793	805
NMG 0450BB04 DBPI	820	1745	1780	843	855
NMG 0450CC04 DBPI	975	1900	1935	918	935
NMG 0450DD04 DBPI	975	1900	1935	918	945

Flange dimensions (mm)						
S.A.E	AK	AJ	BD	BF	n	a
0	647.7	679.5	711	14	16	11.25°
00	787.4	850.9	883	14	16	11.25°

Flex disc dimensions (mm)					
S.A.E	BX	P	AH	Y	m
18	571.5	542.9	15.7	18	6
21	673.1	641.3	0	18	12

Transportation parameters			
Type	Net weight (kg)	Gross weight (kg)	Packing dimensions (mm)
NMG 0450AA04 DBPI	3520	3740	2130x1050x1700
NMG 0450BB04 DBPI	3810	4040	2230x1050x1700
NMG 0450CC04 DBPI	4365	4610	2385x1050x1700
NMG 0450DD04 DBPI	4380	4625	2385x1050x1700

### Double bearing

Frame dimensions (mm)				
Type	B	L	L2	Xg
NMG 0450AA04 DAPI	720	1850	713	725
NMG 0450BB04 DAPI	820	1950	763	776
NMG 0450CC04 DAPI	975	2105	838	865
NMG 0450DD04 DAPI	975	2105	838	878

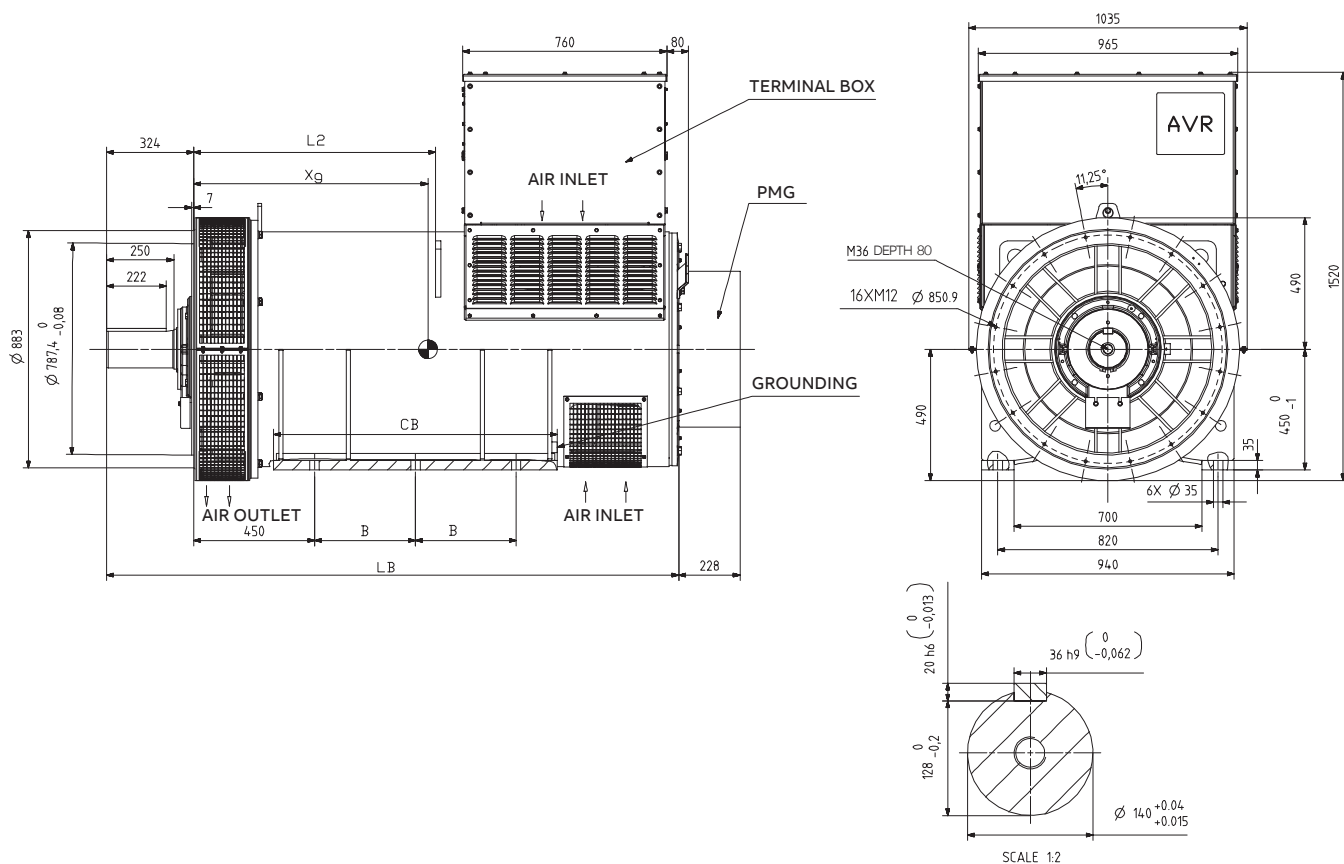
Flange dimensions (mm)						
S.A.E	AK	AJ	BD	BF	n	a
0	647.7	679.5	711	14	16	11.25°
00	787.4	850.9	883	14	16	11.25°

Transportation parameters			
Type	Net weight (kg)	Gross weight (kg)	Packing dimensions (mm)
NMG 0450AA04 DAPI	3550	3790	2300x1050x1700
NMG 0450BB04 DAPI	3840	4090	2400x1050x1700
NMG 0450CC04 DAPI	4395	4660	2555x1050x1700
NMG 0450DD04 DAPI	4410	4675	2555x1050x1700





# Outline drawing NMG 0500 A-B



### Double bearing

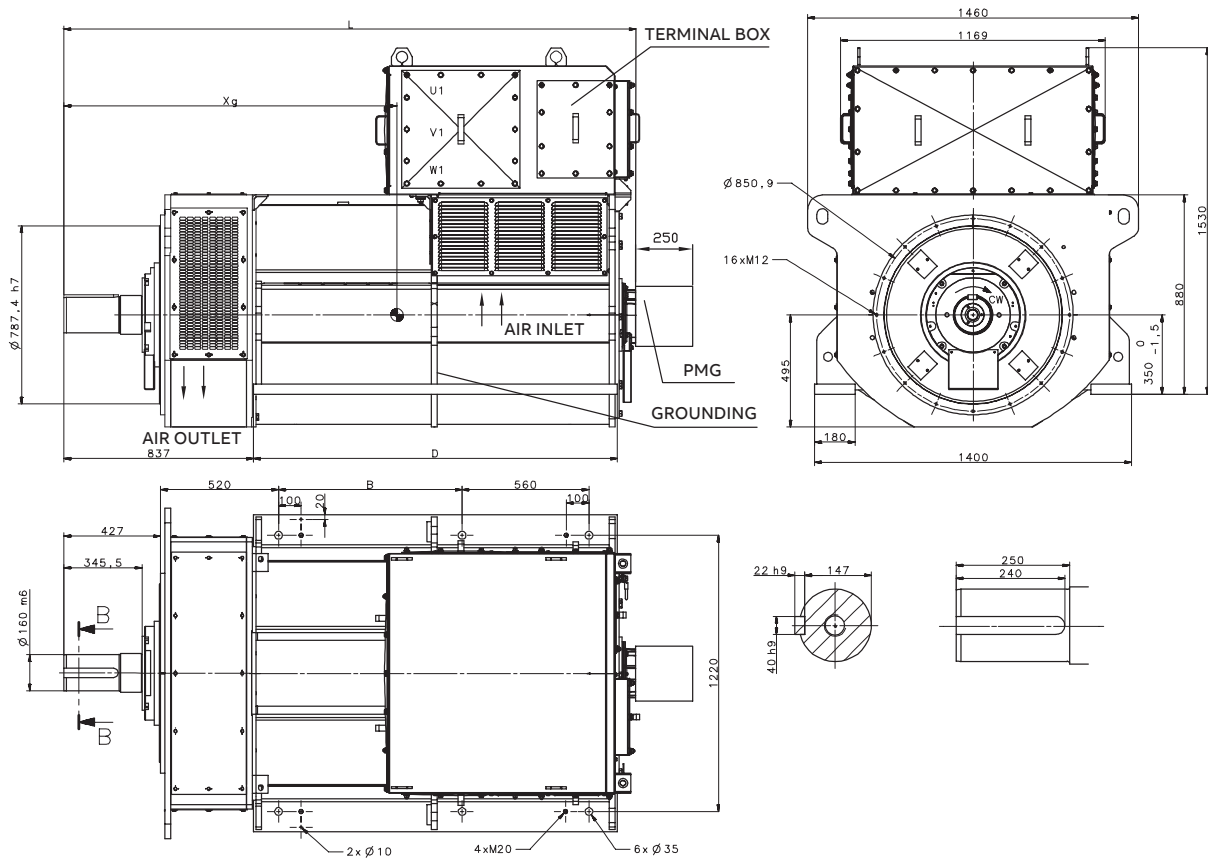
#### Frame dimensions (mm)

Type	B	CB	L2	LB	Xg
NMG 0500AA04 DAPI	325	956	810	2030	800
NMG 0500BB04 DAPI	375	1056	900	2130	850

#### Transportation parameters

Type	Net weight (kg)	Gross weight (kg)	Packing dimensions (mm)
NMG 0500AA04 DAPI	4800	5400	2500×1150×1920
NMG 0500BB04 DAPI	5100	5700	2600×1150×1920

# Outline drawing NMG 0500 C-D



**Double bearing**

**Frame dimensions (mm)**

Type	L	B	D	Xg	XL
NMG 0500CC04 DAPI	2535	810	1605	1361	212
NMG 0500DD04 DAPI	2585	860	1655	1401	245

**Transportation parameters**

Type	Net weight (kg)	Gross weight (kg)	Packing dimensions (mm)
NMG 0500CC04 DAPI	6600	7260	3000x1560x2060
NMG 0500DD04 DAPI	7050	7730	3050x1560x2060

## Total product offering

Motors, generators and mechanical power transmission products with a complete portfolio of services



### IEC motors

- Low voltage motors
- High voltage induction and synchronous motors
- Marine motors
- Motors for explosive atmospheres
- Motors for food and beverage
- Motors for variable speed drives
- Permanent magnet motors
- Synchronous reluctance motors
- Traction motors

### NEMA motors

- Low voltage motors
- High voltage induction and synchronous motors
- Marine motors
- Motors for explosive atmospheres
- Motors for variable speed drives
- Permanent magnet motors
- Servomotors
- Washdown motors

### Generators

- Generators for wind turbines
- Generators for diesel and gas engine power plants
- Generators for steam and gas turbine power plants
- Generators for marine applications
- Generators for industrial applications
- Generators for traction applications
- Synchronous condensers for reactive power compensation

### Mechanical power transmission components, bearings, gearings

- Mounted bearings
- Enclosed gearing
- Mechanical drive components
- Couplings
- Sheaves and bushings
- Conveyor components
- Geared motor units

### Life cycle services

**Visit our web site**

http://new.abb.com/motors-generators

**Product offering**

- ▶ Generators
- ▶▶ Generators for diesel and gas engines
- ▶▶▶ Low voltage generators for industrial applications

Poles	4
Power ranges	15-3125 kVA @ 400 V / 50 Hz / 1500 rpm 19-3750 kVA @ 480 V / 60 Hz / 1800 rpm
Certificate	ISO 9001, ISO 14001, OHSAS 18001

**Additional information**

We reserve the right to make technical changes or modify the contents of this document without prior notice. With regard to purchase orders, the agreed particulars shall prevail. ABB does not accept any responsibility whatsoever for potential errors or possible lack of information in this document.

We reserve all rights in this document and in the subject matter and illustrations contained therein. Any reproduction, disclosure to third parties or utilization of its contents – in whole or in parts – is forbidden without prior written consent of ABB.





—  
[http://new.abb.com/motors-generators/  
generators/generators-for-diesel-and-gas-engines](http://new.abb.com/motors-generators/generators/generators-for-diesel-and-gas-engines)

